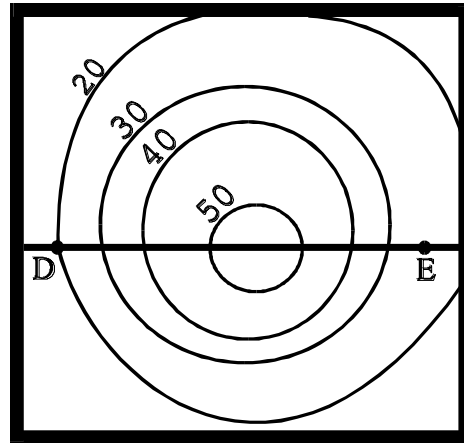


# Topic: Field Maps and Isolines

**Aim:** How is a topographic profile constructed?

Sometimes you may wish to see what a contour map landscape looks like from the side view. To do so, you must construct a contour profile (topographic profile). By following the steps listed below, you will be able to draw a profile from any map, and thus have a greater understanding on the landscape you are studying.



1. Construct a grid with a baseline the same distance as the profile you wish to draw. Label the baseline with the correct letters (in this case "D" and "E").

2. Label the y-axis (elevation axis) of the grid by the contour interval of the map.

Label the grid axes:

Y-axis: elevation (feet or meters)

X-axis: distance (miles or kilometers)

3. Find all places that a contour line intersects the profile line on the map and carefully bring that point straight down to the appropriate elevation on the grid.
4. Connect the dots with a smooth line.

